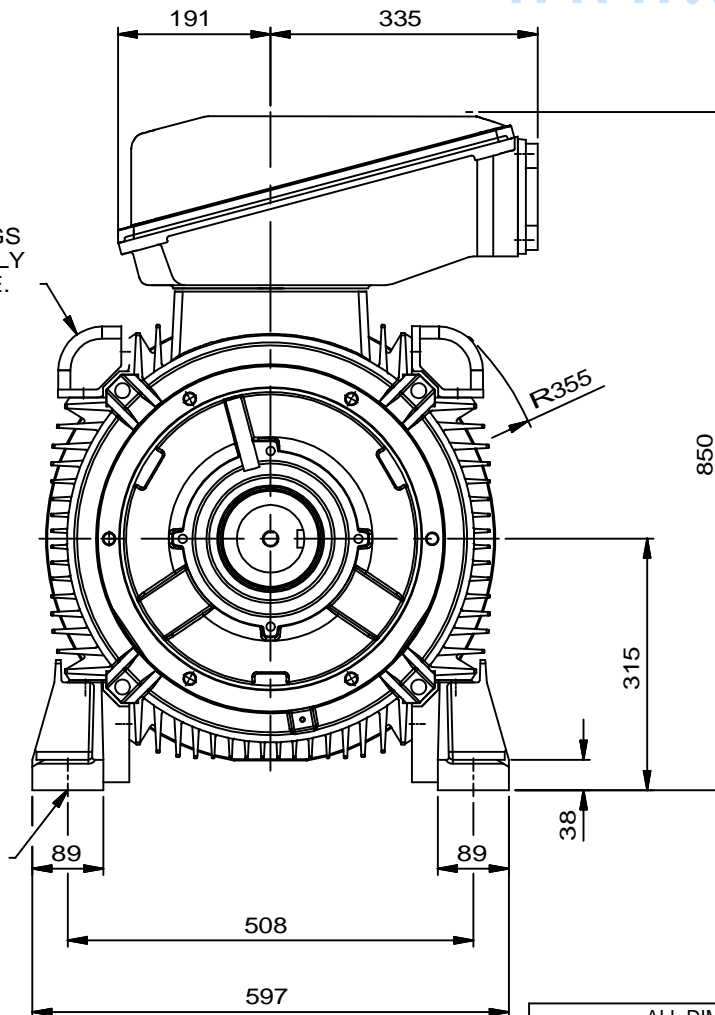
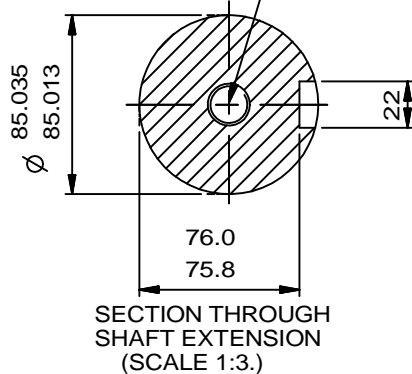


2 LIFTING LUGS  
DIAGONALLY  
OPPOSITE.



4 HOLES FOR  
M24 BOLTS.

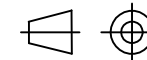
TAPPED HOLE  
M20x42 DEEP.



SECTION THROUGH  
SHAFT EXTENSION  
(SCALE 1:3.)

NOTE:-  
TERMINAL BOX CAN BE MOUNTED  
(LEFT OR RIGHT) BY REFITTING FEET  
AND LIFTING LUGS 90° IN APPROPRIATE  
DIRECTIONS. CABLE ENTRY CAN BE  
SUPPLIED IN ANY ONE OF FOUR  
POSITIONS AT 90° INTERVALS.

ALL DIMENSIONS IN MILLIMETRES



FIRST ANGLE  
PROJECTION

**BROOK  
CROMPTON**

Produced by **Tamel S.A.** a company of **ATB**  
Technology in Motion

DRG. No. **M9113**

DRG. REF.

REVISION: \_\_\_\_\_ DATE \_\_\_\_\_

SHEET  
SIZE  
**A3**

NOTE!  
2.5 ENDPLAY WILL BE PROVIDED FOR ENDTHRUST  
PROTECTION WHEN CUSTOMERS NOTIFY US OF THEIR  
INTENTION TO USE RIGID COUPLINGS AND DRIVEN  
MACHINES WITHOUT ENDPLAY.

TITLE  
OUTLINE DIMENSIONS OF STANDARD FOOT MOUNTED METRIC  
A.C. MOTOR. TOTALLY ENCLOSED FAN VENTILATED.  
FRAME SIZE: W-DF315S (4 POLE UP.)

	NAME	DATE
DRAWN	JM	07-09-10
CHECKED	KC	07-09-10
SCALE	1:8	