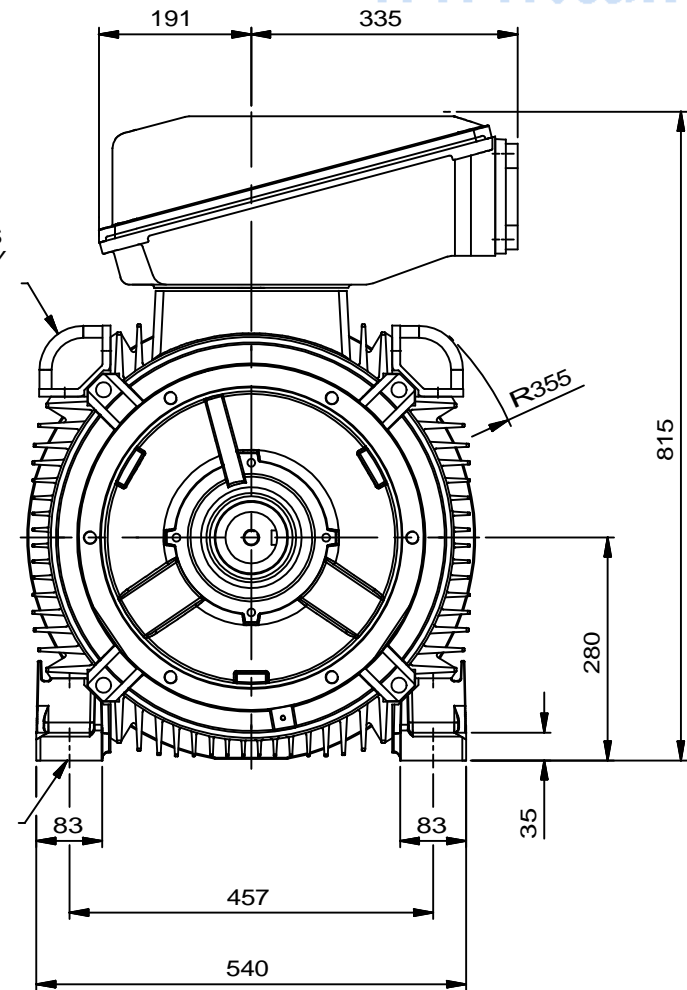
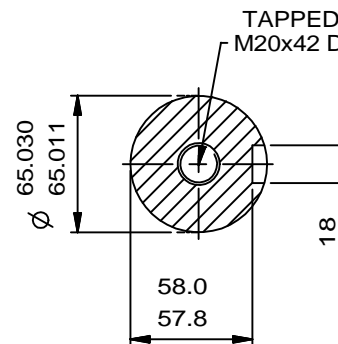


2 LIFTING LUGS  
DIAGONALLY  
OPPOSITE.



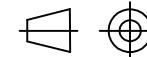
4 HOLES FOR  
M20 BOLTS.



SECTION THROUGH  
SHAFT EXTENSION  
(SCALE 1:3.)

NOTE:  
TERMINAL BOX CAN BE MOUNTED  
(LEFT OR RIGHT) BY REFITTING FEET  
AND LIFTING LUGS 90° IN APPROPRIATE  
DIRECTIONS. CABLE ENTRY CAN BE  
SUPPLIED IN ANY ONE OF FOUR  
POSITIONS AT 90° INTERVALS.

ALL DIMENSIONS IN MILLIMETRES



FIRST ANGLE  
PROJECTION

**BROOK  
CROMPTON**

Produced by **Tamel s.a.** a company of **NTB**  
Technology in Motion

DRG. No. **M9110**

DRG. REF.

REVISION: DATE

SHEET  
SIZE

A3

NOTE!  
2.5 ENDPLAY WILL BE PROVIDED FOR ENDTHRUST  
PROTECTION WHEN CUSTOMERS NOTIFY US OF THEIR  
INTENTION TO USE RIGID COUPLINGS AND DRIVEN  
MACHINES WITHOUT ENDPLAY.

TITLE

OUTLINE DIMENSIONS OF STANDARD FOOT MOUNTED METRIC  
A.C. MOTOR. TOTALLY ENCLOSED FAN VENTILATED.  
FRAME SIZE: W-DF280M (2 POLE ONLY.)

DRAWN

CHECKED

SCALE

NAME

JM

1:8

DATE

08-09-10

08-09-10

DRG. No.

M9110

DRG. REF.

REVISION:

DATE