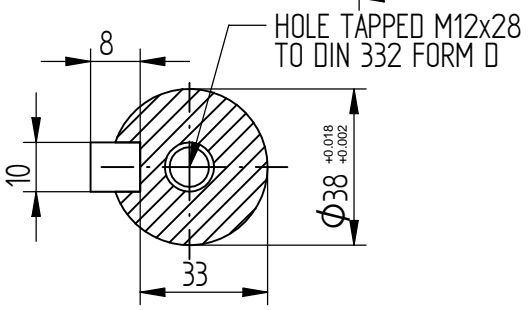


SHAFT SECTION
2:1



CONDUIT ENTRIES: TERMINAL BOX CAN BE ROTATED AT 90° INTERVALS
(CONDUIT ENTRY POSITION SHOWN FOR ILLUSTRATION ONLY)

ALL DIMENSIONS IN MILLIMETERS

FIRST ANGLE
PROJECTION

**BROOK
CROMPTON**

Produced by *Tamel S.A.* a company of **NTB**

SHEET SIZE A3	TITLE:	OUTLINE DIMENSION DRAWING CAST IRON TOTALLY ENCLOSED FAN COOLED 132S/M X FRAME FOOT MOUNTED MOTOR	
	NAME		JM
	CHECKED		
	SCALE		1:25

DATE	17-02-11
ORG. No.	W32GF0056T
ORG. REF.	
REVISION:	
DATE:	