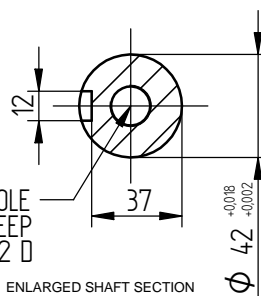
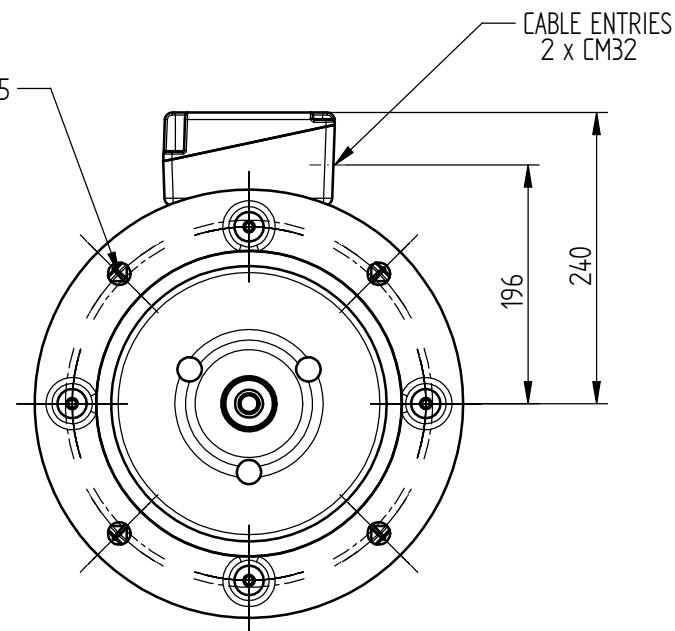


4 HOLES ϕ 18,5
EQUI-SPACED
ON 300 P.C.D.



TERMINAL BOX POSITION: CAN BE ARRANGED AT EITHER 9,12 OR 3 O'CLOCK.
STANDARD TERMINAL BOX POSITION IS 12 O'CLOCK AS SHOWN.
CONDUIT ENTRIES:- TERMINAL BOX CAN BE ROTATED AT 90° INTERVALS
(CONDUIT ENTRY POSITION SHOWN FOR ILLUSTRATION ONLY).

ALL DIMENSIONS IN MILLIMETERS

FIRST ANGLE
PROJECTION

BROOK
CROMPTON

Produced by **Tamel** S.A. a company of **ATB**

SHEET
SIZE
A3

TITLE:
**OUTLINE DIMENSION DRAWING W ALUMINIUM TOTALLY ENCLOSED FAN COOLED
160L/M FRAME D FLANGE MOUNTED MOTOR**

	NAME	DATE
DRAWN	JM	22-04-11
CHECKED		
SCALE	1 : 4	

DRG. No.	W41GH0155T		
DRG. REF.			
REVISION:		DATE:	