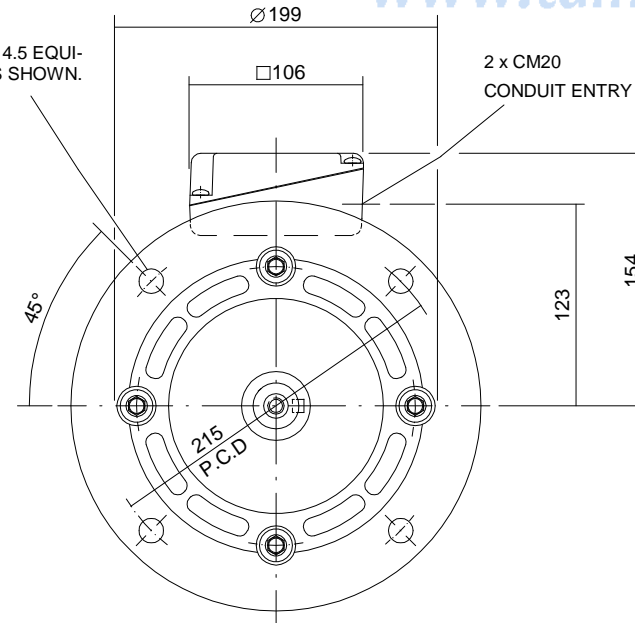
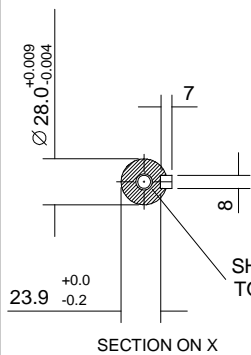


4 HOLES  $\varnothing 14.5$  EQUI-SPACED AS SHOWN.



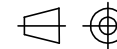
EXTERNAL EARTHING TERMINALS



SHAFT TAPPED M10 X 22 DEEP. TO DIN 332 FORM D.

TERMINAL BOX POSITION:- CAN BE ARRANGED AT EITHER 9,12 OR 3 O'CLOCK. STANDARD TERMINAL BOX POSITION IS 12 O'CLOCK AS SHOWN.  
CONDUIT ENTRIES:- TERMINAL BOX CAN BE ROTATED AT 90° INTERVALS (CONDUIT ENTRY POSITION SHOWN FOR ILLUSTRATION ONLY).

ALL DIMENSIONS IN MILLIMETRES



FIRST ANGLE PROJECTION

**BROOK CROMPTON**

Produced by *Tamel s.a.* a company of **ATB**

SHEET SIZE  
A3

TITLE  
OUTLINE DIMENSION DRAWING W ALUMINIUM TOTALLY ENCLOSED FAN COOLED 100L FRAME D FLANGE MOUNTED MOTOR.

	NAME	DATE
DRAWN	JM	12-04-10
CHECKED	KC	12-04-10
SCALE	1 : 3.5	

DRG. No.	W10GD020/2		
DRG. REF.			
REVISION:		DATE	