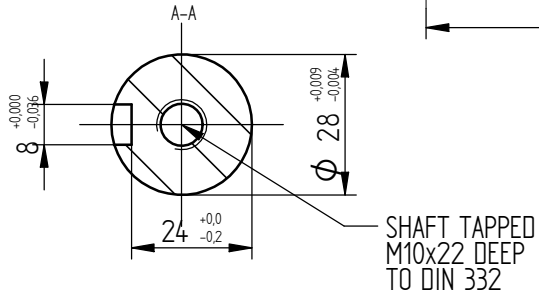
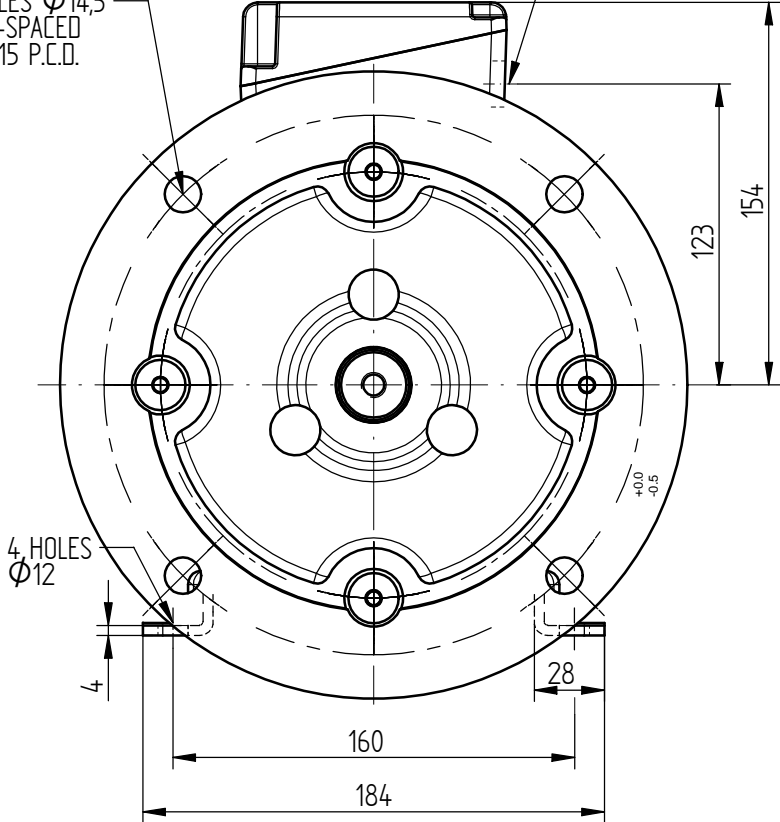


4 HOLES $\phi 14,5$
EQUI-SPACED
ON 215 P.C.D.

CABLE ENTRIES
2 x CM20



TERMINAL BOX POSITION:- CAN BE ARRANGED AT EITHER 9,12 OR 3 O'CLOCK.
STANDARD TERMINAL BOX POSITION IS 12 O'CLOCK AS SHOWN.
CONDUIT ENTRIES:- TERMINAL BOX CAN BE ROTATED AT 90° INTERVALS
(CONDUIT ENTRY POSITION SHOWN FOR ILLUSTRATION ONLY).

ALL DIMENSIONS IN MILLIMETERS

FIRST ANGLE
PROJECTION

**BROOK
CROMPTON**

Produced by *Tamel S.A.* a company of **ATB**

SHEET SIZE A3	TITLE:		NAME	DATE	DRG. No.	W24GH0116T
	OUTLINE DIMENSION DRAWING W ALUMINIUM TOTALLY ENCLOSED FAN COOLED 100LW FRAME FOOT AND D FLANGE MOUNTED MOTOR		DRAWN	JM	29-03-11	DRG. REF.
			CHECKED			REVISION:
			SCALE	1:2		DATE:

DRG. No.	W24GH0116T
DRG. REF.	
REVISION:	
DATE:	