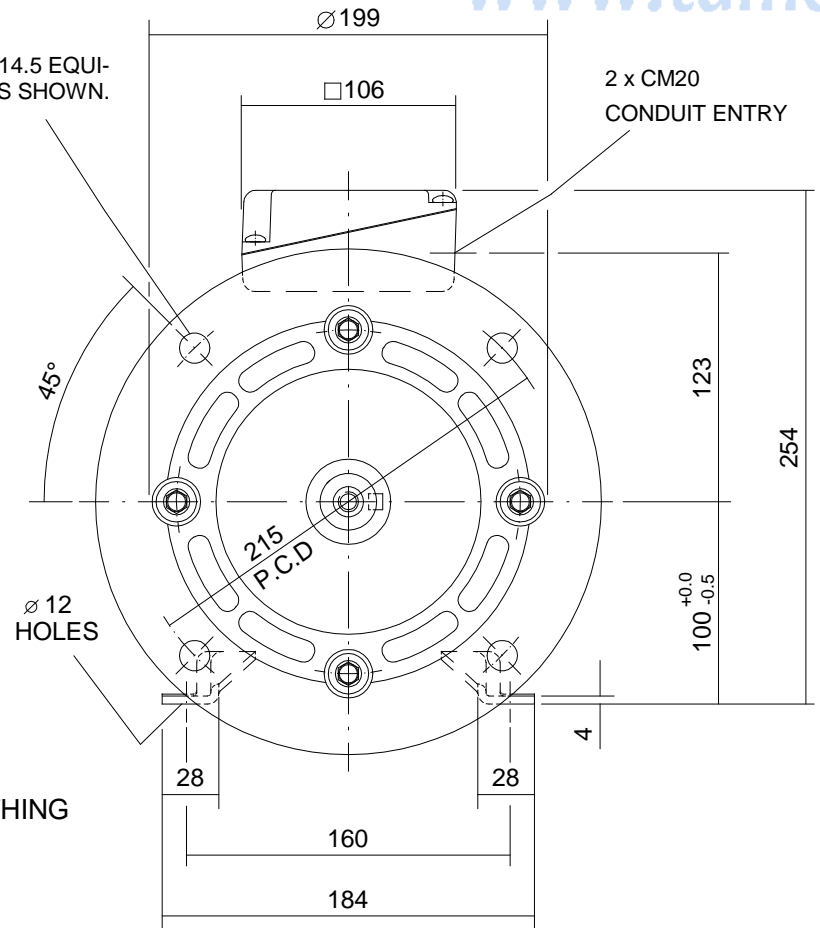
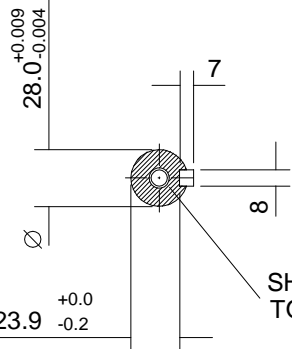


4 HOLES Ø14.5 EQUI-SPACED AS SHOWN.



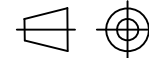
EXTERNAL EARTHING TERMINALS



SHAFT TAPPED M10 X 22 DEEP. TO DIN 332 FORM D.

TERMINAL BOX POSITION:- CAN BE ARRANGED AT EITHER 9,12 OR 3 O'CLOCK.
 STANDARD TERMINAL BOX POSITION IS 12 O'CLOCK AS SHOWN.
 CONDUIT ENTRIES:- TERMINAL BOX CAN BE ROTATED AT 90° INTERVALS
 (CONDUIT ENTRY POSITION SHOWN FOR ILLUSTRATION ONLY).

ALL DIMENSIONS IN MILLIMETRES



FIRST ANGLE PROJECTION

BROOK CROMPTON

Produced by **Tamel s.a.** a company of **ATB** Technology in Motion

DRG. No. W10GD019/2

DRG. REF.

REVISION: DATE

SHEET	TITLE
SIZE	OUTLINE DIMENSION DRAWING W ALUMINIUM TOTALLY ENCLOSED FAN COOLED
A3	100L FRAME FOOT AND D FLANGE MOUNTED MOTOR.

	NAME	DATE
DRAWN	JM	12-04-10
CHECKED	KC	12-04-10
SCALE	1 : 3.5	