

Technical Specifications OMS Hypodrive EC 2-15



ANTRIEBSTECHNIK

Gear :

input-torque, max. :	T max. = 150 Nm
input revolution :	n = 1000, 1200 rpm
efficiency :	$\eta_{,n} = > 96 \%$
starting efficiency :	$\eta_{,s} = > 90 \%$
average oil temperature :	T = 30 - 35 K above ambient temperature
oil operating time up to :	t = 40.000 hrs
toothing :	life time durability
bearing life time:	70.000 hrs
with equivalent loading:	p.equiv. = 0,5 up to 0,6 * nominal motor power
noise pressure level (1000 rpm) :	L _p = 60 dB(A) (nominal values, dependent on motor power)
gear ratio :	i = 24,62
for escalator speed :	v = 0,5 up to 0,75 m/s
version :	single- and Tandem-Units for chain-driving suitable for driving escaltors and travelators option: for flanging-on to a transmission gear
position at machine room :	left side (look from escalator to landing conditions)

Motors :

motor protection :	three phase induction motor, 6-poles, IP 55,
frequency:	integrated fan, suitable for frequency converter PTC or bimetal-switch
type :	50 Hz or 60 Hz
motor-nominal torque :	type 160 vertical T _n = to 150 Nm

Brake:

braking torque :	double action safety shoe brake free adjustable up to $> 2,4 * T_{,n}$
------------------	---

Chain wheel:

version :	duplex or triplex,
size :	(16A-24A or 16B-24B) (1", 1 1/4", 1 1/2", 1 3/4")
number of teeth :	z = 17 up to 30
standard :	DIN 8187 / 8188 (ANSI)

Dimension:

see overleaf, total height A according to motor type

Machine Monitoring:

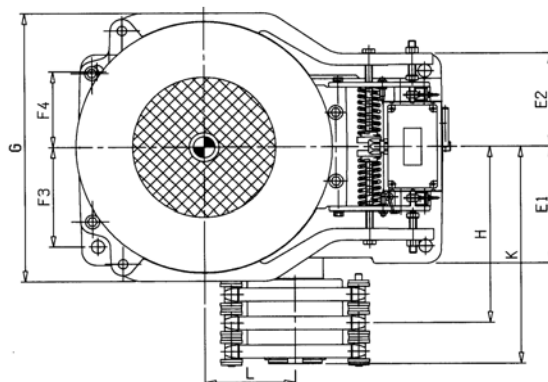
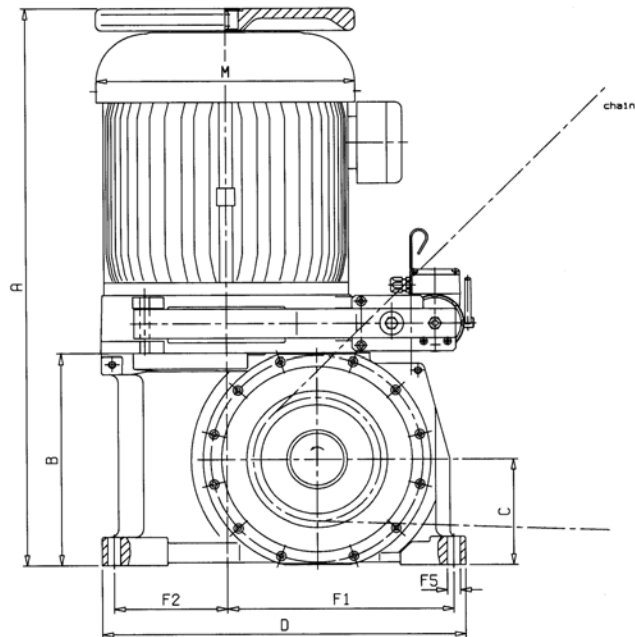
optionally for:	brake function monitor brake lining wear monitor vibration measuring sensors oil: temperature, level
-----------------	---

Safety-Sensors :

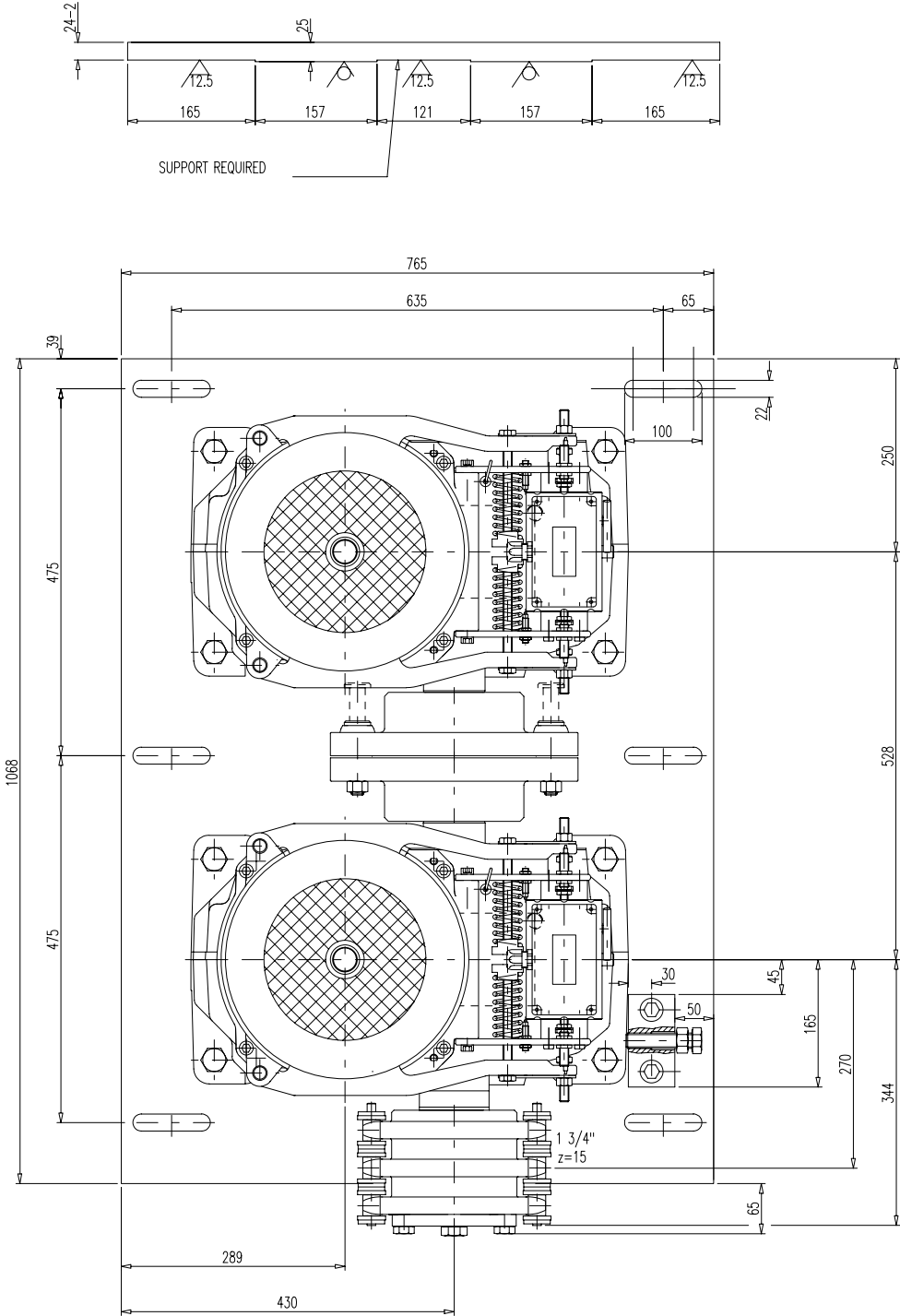
optionally for:	overspeed / machine reversing (NDR)
-----------------	-------------------------------------

oms Hypodrive

version :		EC 2-15
version left		X
version tandem		-
gear ratio		24,62
input - torque	Nm	150
dimension :	mm	
A,max. ***)		954
B		359
C		177
D		565
E1		161
E2		161
F1		336
F2		169
F3		130
F4		130
F5		22
G		352
H , K		dependent on chain size
L		141
***) M , A		dependent on motor size and power



oms Hypodrive		
version :		EC 2-15
version left		-
version tandem		X
gear ratio		24,62
input - torque	Nm	150
dimension	mm	see outline



(technical modification reserved; De / update 03 / 03)