

Technical Specification OMS Hypodrive AZHP 3



(technical modification reserved; update 09/2005)

Gear:

input-revolution, max.: $n = 2500 \text{ rpm}$
 efficiency: $\eta, n = > 96 \%$
 typical backlash range : 4 to 8 arc. minutes
 sound pressure level (1500 rpm / nominal load): $L_{pA} = 62 \text{ dB(A)}$

		Applications						
		2 : 1		1 : 1			2 : 1	
			HD		HD	HD+	HD	HD
car suspension								
gear ratio	i	18,99	18,99	36,85	36,85	36,85	13,57	24,68
input-torque, max.	T	150 Nm	150 Nm	100 Nm	100 Nm	150 Nm	150 Nm	150 Nm
output shaft max. torque	T	2800 Nm	2800 Nm	3700 Nm	3700 Nm	5500 Nm	2000 Nm	3700 Nm
max. axle weight	F	37 kN	53 kN	40 kN	53 kN	65 kN	50 kN	53 kN
for car load up to	Q	2000 kg	2000 kg	1050 kg	1300 kg	1600 kg	1600 kg	2500 kg
for car speed up to	v	2 m/s						

(options upon request)

Motor:

(for frequency converter only)
 three phase induction motor: 4-pole, IP 54, motor protection: PTC, integral fans,
 type / diameter B: type: 132 / B= 260 type: 160 / B = 315
 motor-nominal torque up to: T = 118 Nm
 encoder: HTL, TTL, sine

Brake:

safety double action shoe brake
 2 solenoid coil, select common or separate

Traction sheave:

radius: D = 320, 400, 450, 500, 560, 650 mm *)
 weight: G = 34, 37, 46, 52, 59, 86 kg *)
 width: C = 112 mm *), F = 235mm *)
 125 mm (only for dia. 320 mm *)
 rope diameter: D, s = 10, 11, mm *)
 number of ropes: n = 4 - 7 *)
 *) options upon request

Dimension:

total height A according to motor dimension
 (weight of drive, all inclusive without traction sheave)

Motor Type	P _{nenn} kW	T _{nenn} Nm	n _{nenn} min ⁻¹	f Hz	A mm	G kg
132	7,5	41,4	1730	60	1017	307
132	7,5	63,4	1130	40	1047	317
132	11	60,7	1730	60	1047	317
160	15	69,4	2065	70	1092	357
160	13	84,7	1465	50	1092	357
160	12	98,0	1170	40	1136	386
160	17	92,0	1765	60	1136	386
160	20	92,3	2070	70	1136	386
160	14,5	118	1170	40	1164	402
160	20,5	111	1765	60	1164	402

For modernisation applications the machines can be equipped with an auxiliary disk brake attached to the traction sheave.

Dimension Sheet OMS Hypodrive AZHP 3

Alignment Version : A

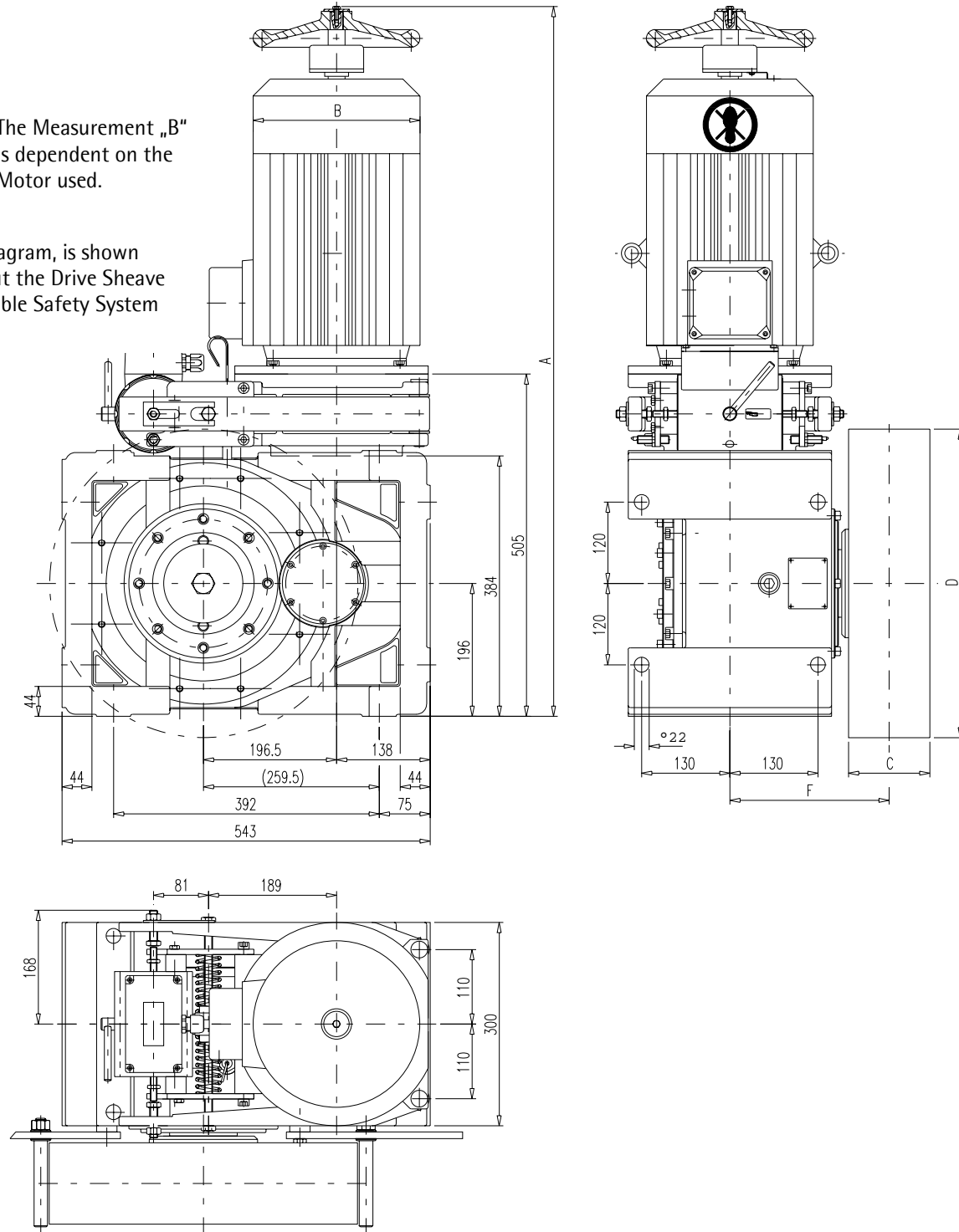
(technical modification reserved; update 09/2005)



ANTRIEBSTECHNIK

The Measurement „B”
is dependent on the
Motor used.

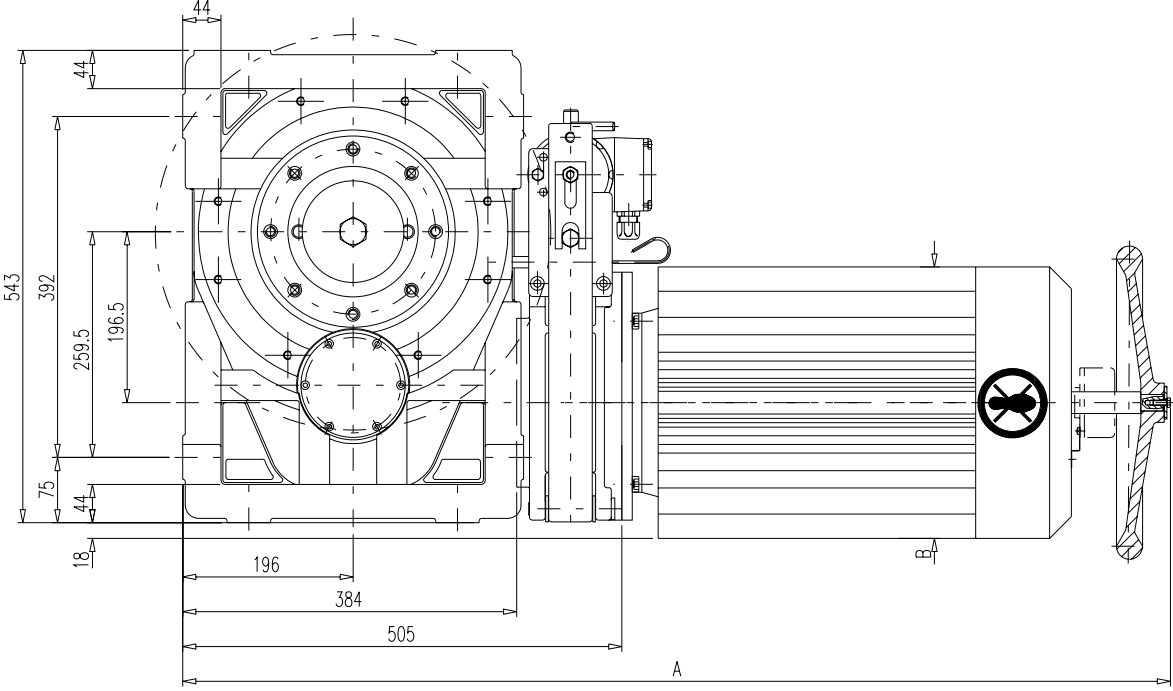
This diagram, is shown
without the Drive Sheave
and Cable Safety System
fitted.



Dimension Sheet OMS Hypodrive AZHP 3

Alignment Version A 3 – with Motor frame 160

(technical modification reserved; update 09/2005)



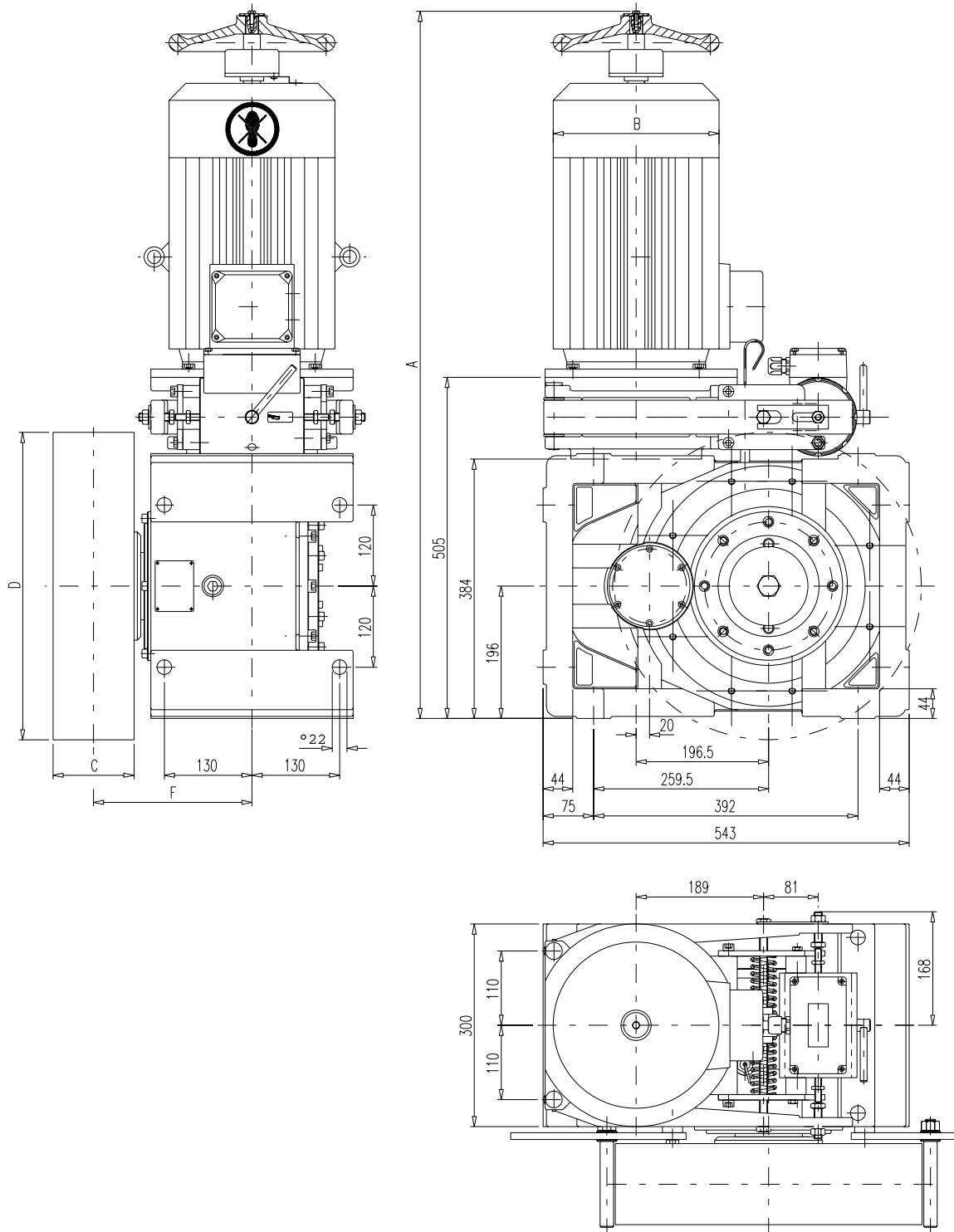
Technical Specification OMS Hypodrive AZHP 3

Alignment Version B

(technical modification reserved; update 09/2005)



ANTRIEBSTECHNIK



Technical Specification OMS Hypodrive AZHP 3

(technical modification reserved; update 09/2005)



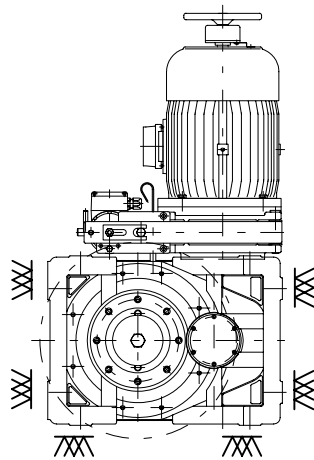
Example for Positioning and Supporting of Drive Unit

View of drive unit without traction sheave in front side

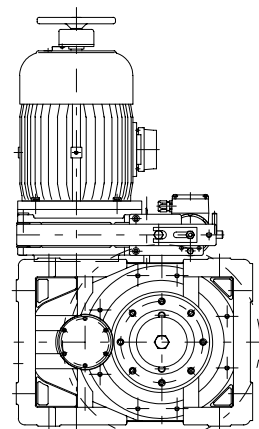
Force of rope possible in down ↓ and up ↑ direction or ↗ diagonally

The gearbox has 4 fastening holes on each of the 3 mounting sides.

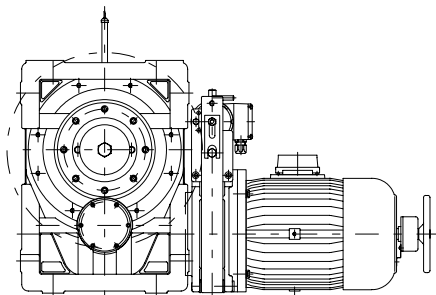
When applying forces from the side, additionally a support for these forces at that side is needed.



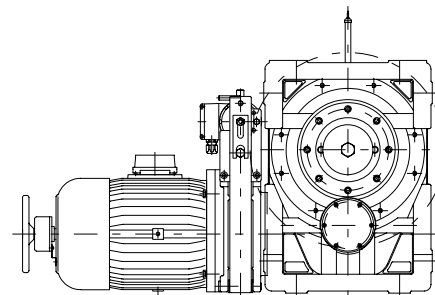
Version A1, (Motor vertical)



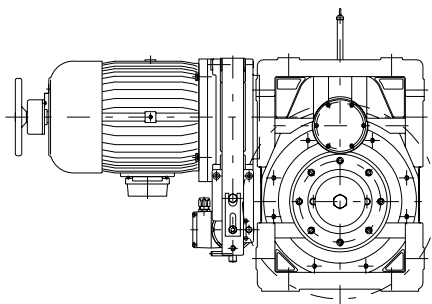
Version B1, (Motor vertical)



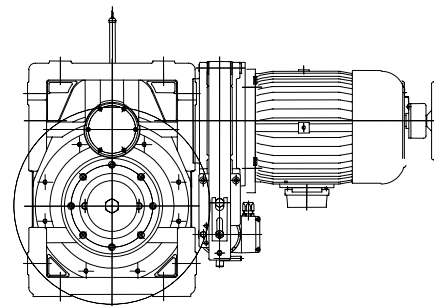
Version A3, (Motor Horizontal) (low)



Version B3, (Motor Horizontal) (low)



Version A2, (Motor Horizontal) (high)



Version B2, (Motor Horizontal) (high)