

Technical Specification OMS Hypodrive AZHP 2



(technical modification reserved; update 09/2005)

Gear:

input-revolution, max: $n = 2500 \text{ rpm}$
 efficiency: $\eta_{n} = > 96 \%$
 typical backlash range : 4 to 8 arc. minutes

car suspension		2 : 1	1 : 1	
gear ratio	i	18,99 / 24,68	28,43	36,94
output shaft max. torque	T	1700 Nm	2000 Nm	2500 Nm
max. axle weight	F	42 kN	42 kN	42 kN
for car load up to	Q	1600 kg	900 kg	1000 kg
for car speed up to	v	2 m/s		

sound pressure level (1500 rpm / nominal load): $L_{pA} = 59 \text{ dB(A)}$
 option upon request

Motor:

(for frequency converter only)
 three phase induction motor: 4-pole, IP 54, motor protection: PTC,
 type / diameter B / dimension type: 112 / B = 220 type: 132 / B = 246
 motor nominal torque up to: $T_{n} = 51,4 \text{ Nm}$
 encoder: HTL, TTL, sine

Brake:

2-circle safety disc brake

Traction wheel:

diameter: $D = 320, 400, 450, 500, 560, 650 \text{ mm}^*$
 weight, ca.: $G = 34, 37, 46, 52, 59, 86 \text{ kg}^*$
 width: $C = 112 \text{ mm}^*$, $F = 176 \text{ mm}^*$
 125 mm , (only for dia. 320 mm)
 rope diameter: $D, s = 10 \text{ mm}^*$
 number of ropes: $n = 4 - 6^*$
 $^*)$ options upon request

Dimension:

total height A according to motor dimension
 (weight of drive, all inclusive without traction wheel)

Motor Typ	P_{nenn} kW	T_{nenn} Nm	n_{nenn} min^{-1}	f Hz	A mm	A1 mm	G kg
112	4,2	22,3	1725	60	871	1018	196
112	3,8	32,4	1120	40	891	1038	201
112	5,5	30,5	1725	60	891	1038	201
112	7,5	41,4	1730	60	988	1135	212
132*	5,5	36,5	1440	50	883	1030	220
132*	7,5	49,8	1440	50	933	1080	239
132*	5,0	51,4	930	33	933	1080	239
132	9,0	49,6	1735	60	976	1123	228

* fan less motor

Annotation :

Length A by version A and B
 Length A1 by version C

For modernisation applications the machines can be equipped with an auxiliary disk brake attached to the traction sheave

Dimension Sheet OMS Hypodrive AZHP 2

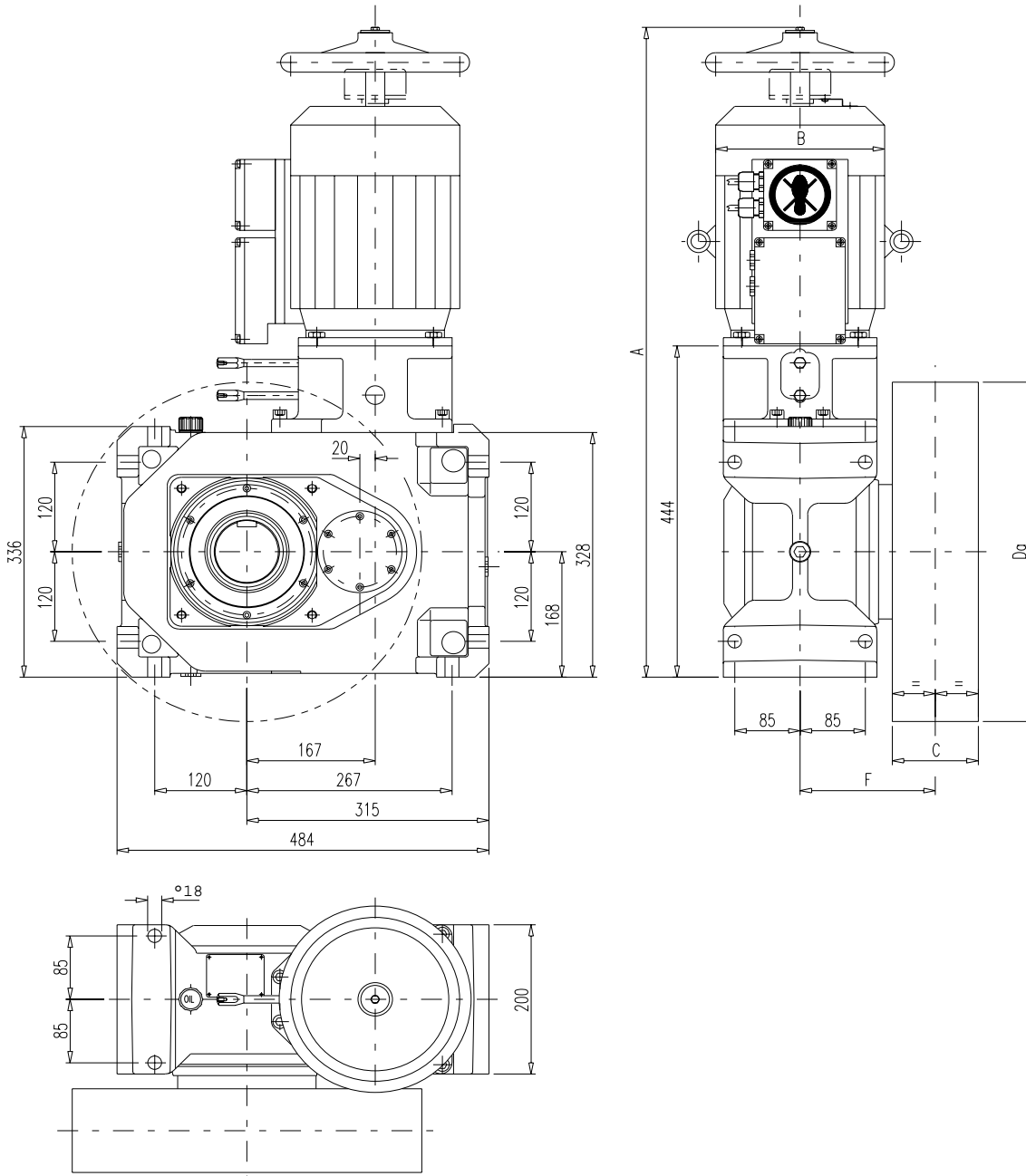
Version : A

page 1

(technical modification reserved; update 09/2005)



ANTRIEBSTECHNIK

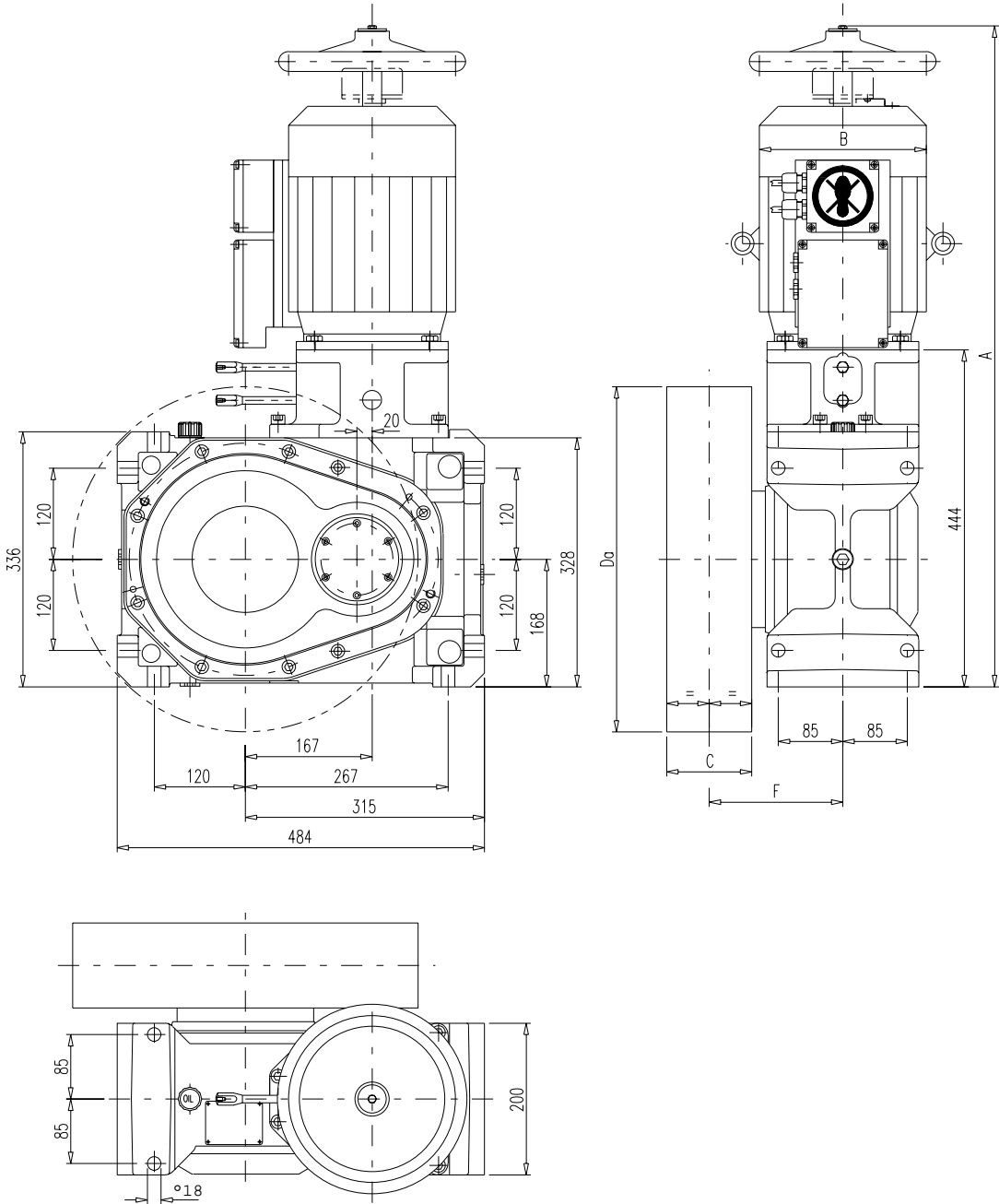


Dimension Sheet OMS Hypodrive AZHP 2

Version : B

page 2

(technical modification reserved; update 09/2005)



Dimension Sheet OMS Hypodrive AZHP 2

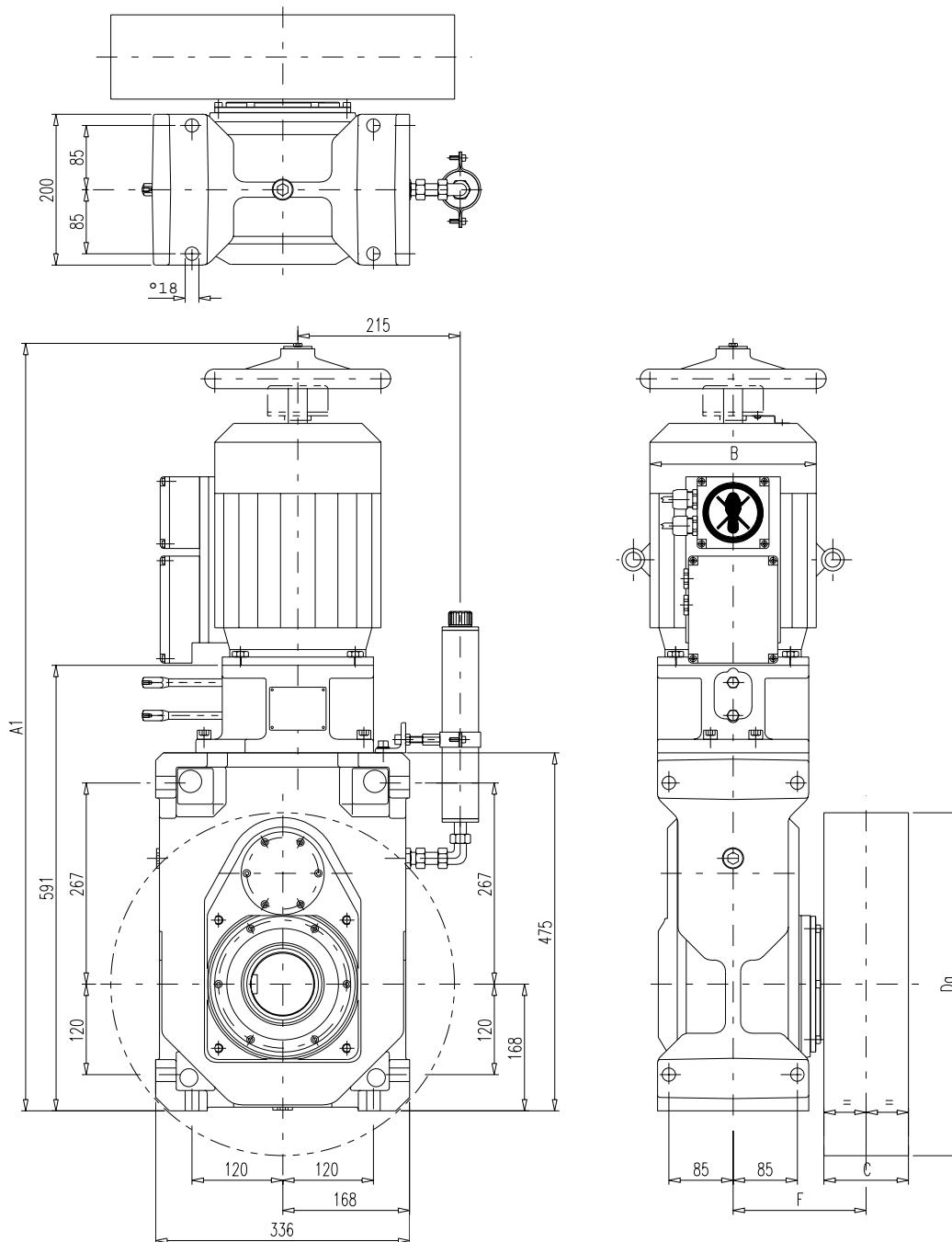
Version : C

page 3

(technical modification reserved; update 09/2005)



ANTRIEBSTECHNIK



Technical Specification OMS Hypodrive AZHP 2



(technical modification reserved; update 09/03)

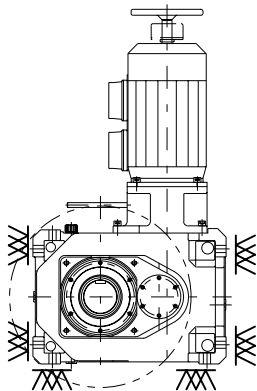
Example for Positioning and Supporting of Drive Unit

View of drive unit with traction wheel in front side
(force of rope possible in down ↓ and up ↑ direction or ↗ diagonally)

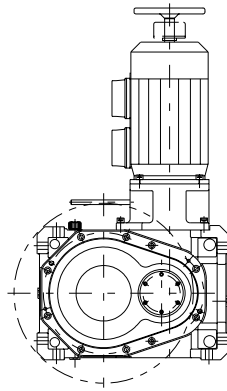
The gearbox has 4 fastening holes on each of the 3 mounting sides.
When applying forces from the side, additionally a support for these forces at that side is needed.

Motor vertical

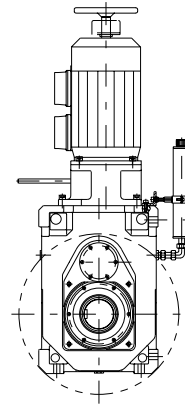
Version A1



Version B1

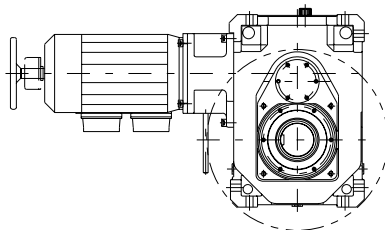


Version C1

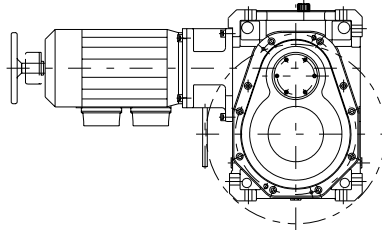


Motor horizontal, (high)

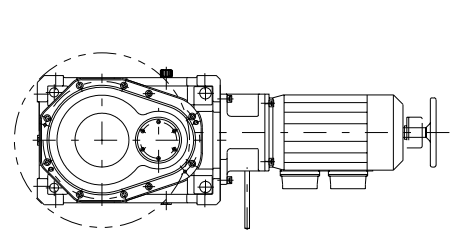
Version A2



Version B2

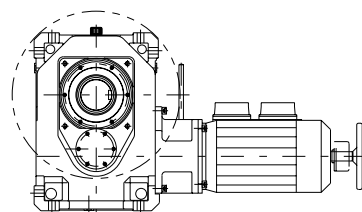


Version C2

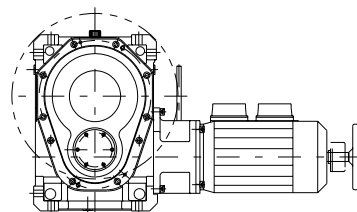


Motor horizontal, (low)

Version A3



Version B3



Version C3

